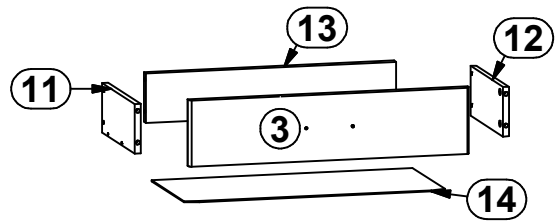
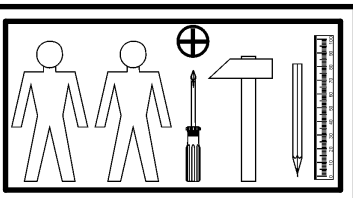
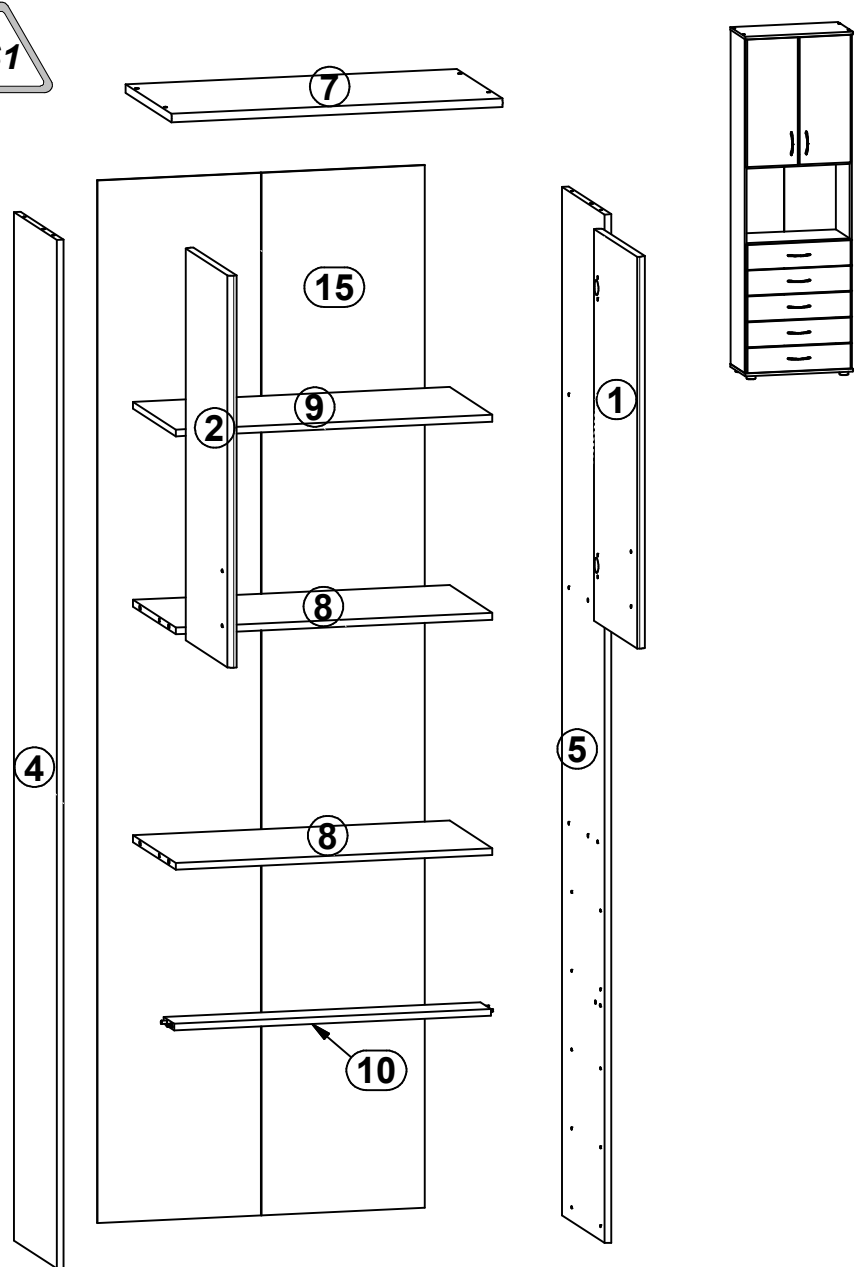


# ATRISS

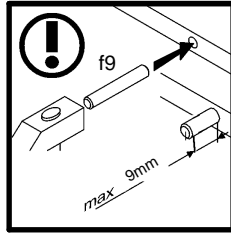
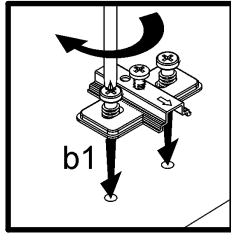
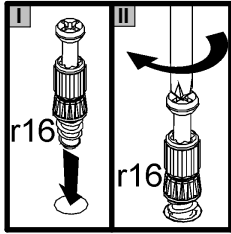
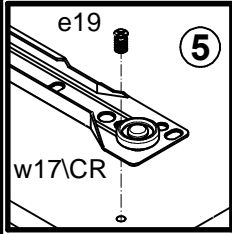
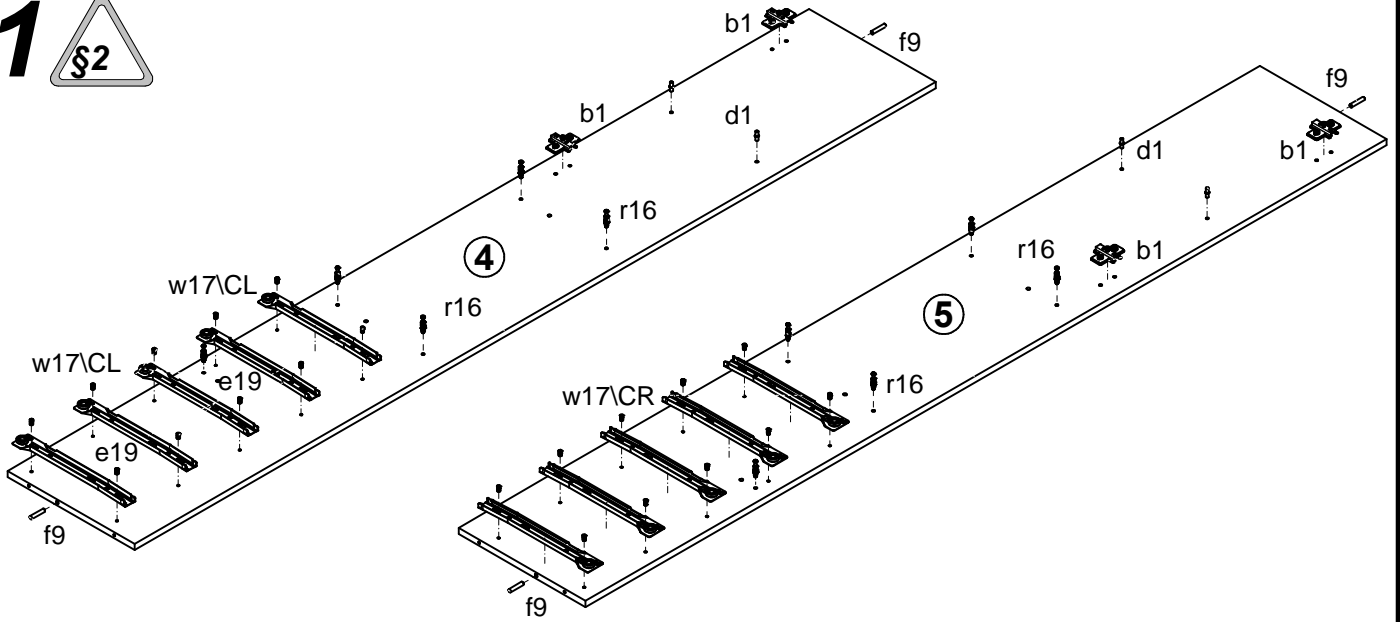
# S137-REG2D5S

A	B	C	D	
1	S137-001	686	287	1/1
2	S137-002	686	287	1/1
3	S137-003	576	134	1/1
4	S137-113	1800	285	1/1
5	S137-114	1800	285	1/1
6	S137-204	590	305	1/1
7	S137-205	590	305	1/1
8	S137-303	564	285	1/1
9	S137-315	564	285	1/1
10	S137-409	564	70	1/1
11	S137-501	250	100	1/1
12	S137-502	250	100	1/1
13	S137-503	515	100	1/1
14	S137-903	537	255	1/1
15	S137-905	1825	583	1/1

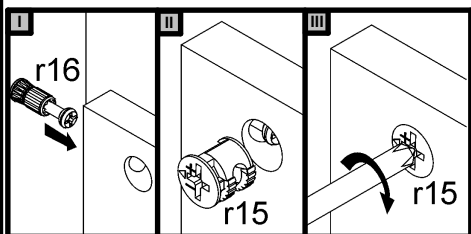
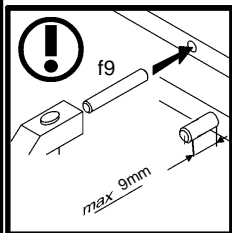
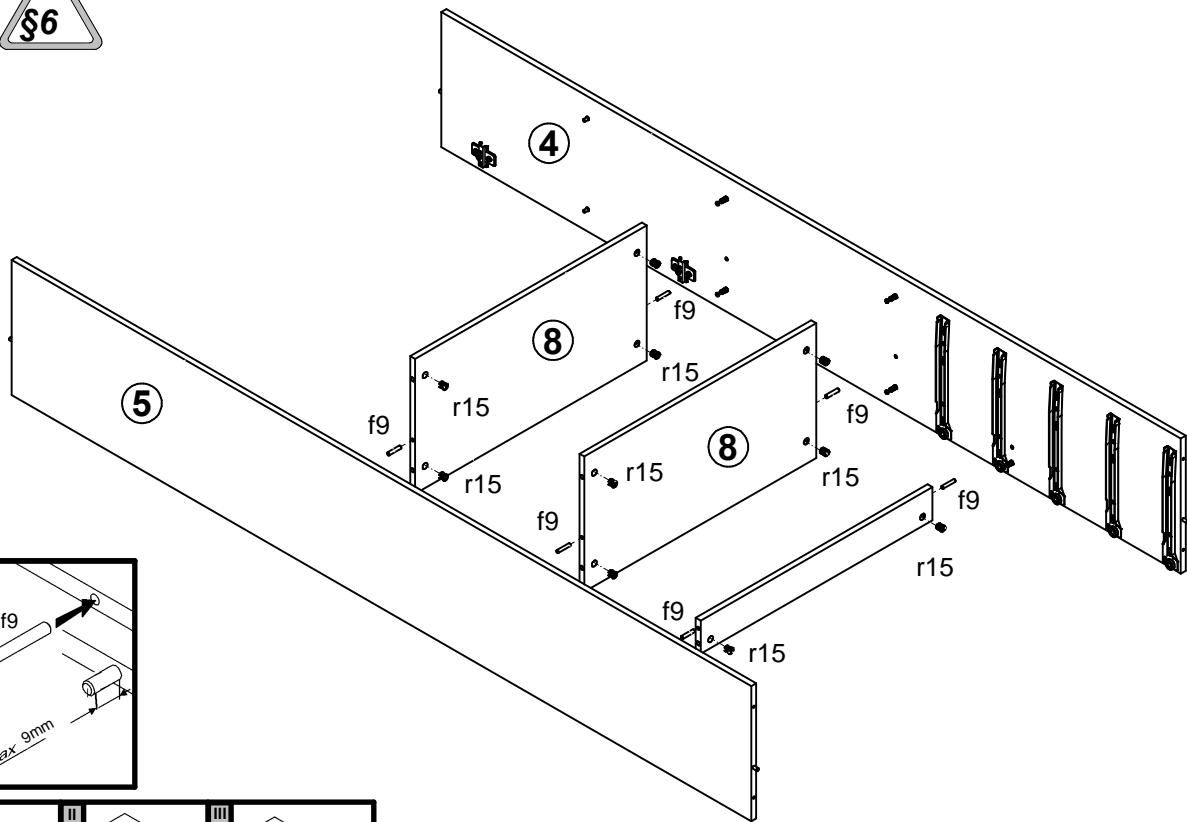


4x K8 a54	4x b1	7x c314	4x d1 φ5x17 mm	8x e32 φ5x50 mm	40x e19 φ5x9 mm	20x f25 φ6.5x40 mm	10x f9 φ6x30 mm	4x k27
60x l1	20x p38 φ3.5x16 mm	14x p87 φ4x25 mm	30x r15 φ12x10.5mm #12	30x r16	5x w17CL 250 mm	5x w17CR 250 mm	5x w17DL 250 mm	5x w17DR 250 mm
1x n26\1	1x p38 φ3.5x16 mm							

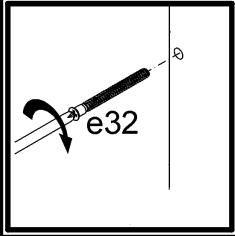
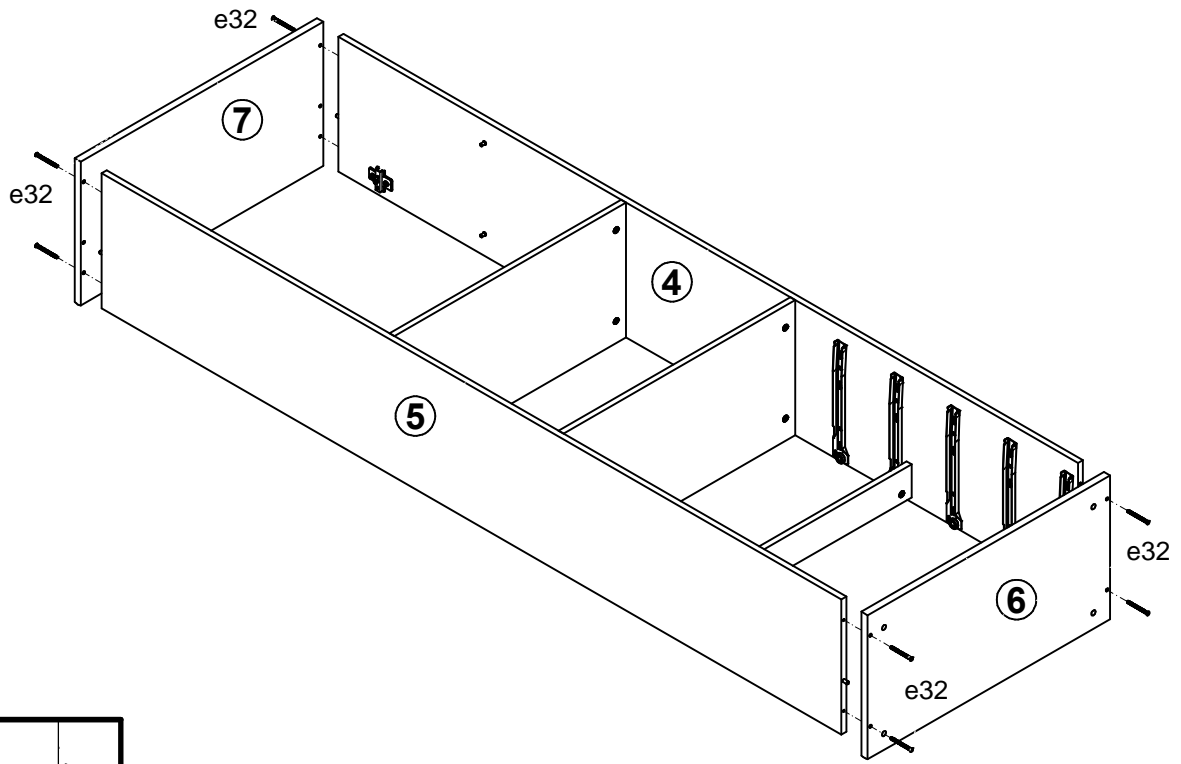
# 1



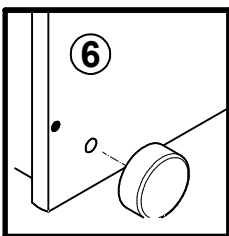
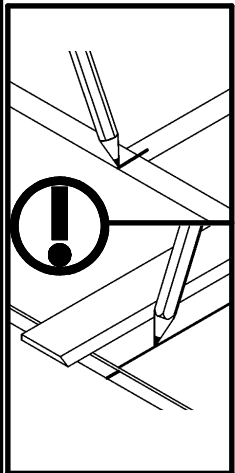
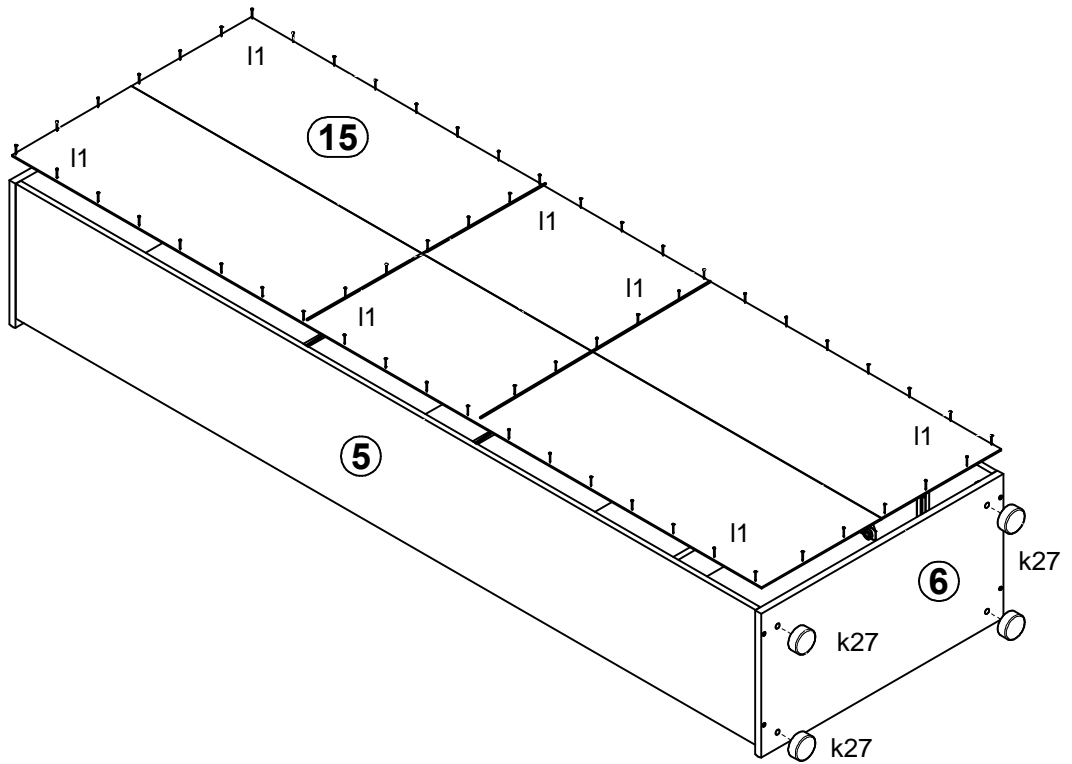
# 2



# 3

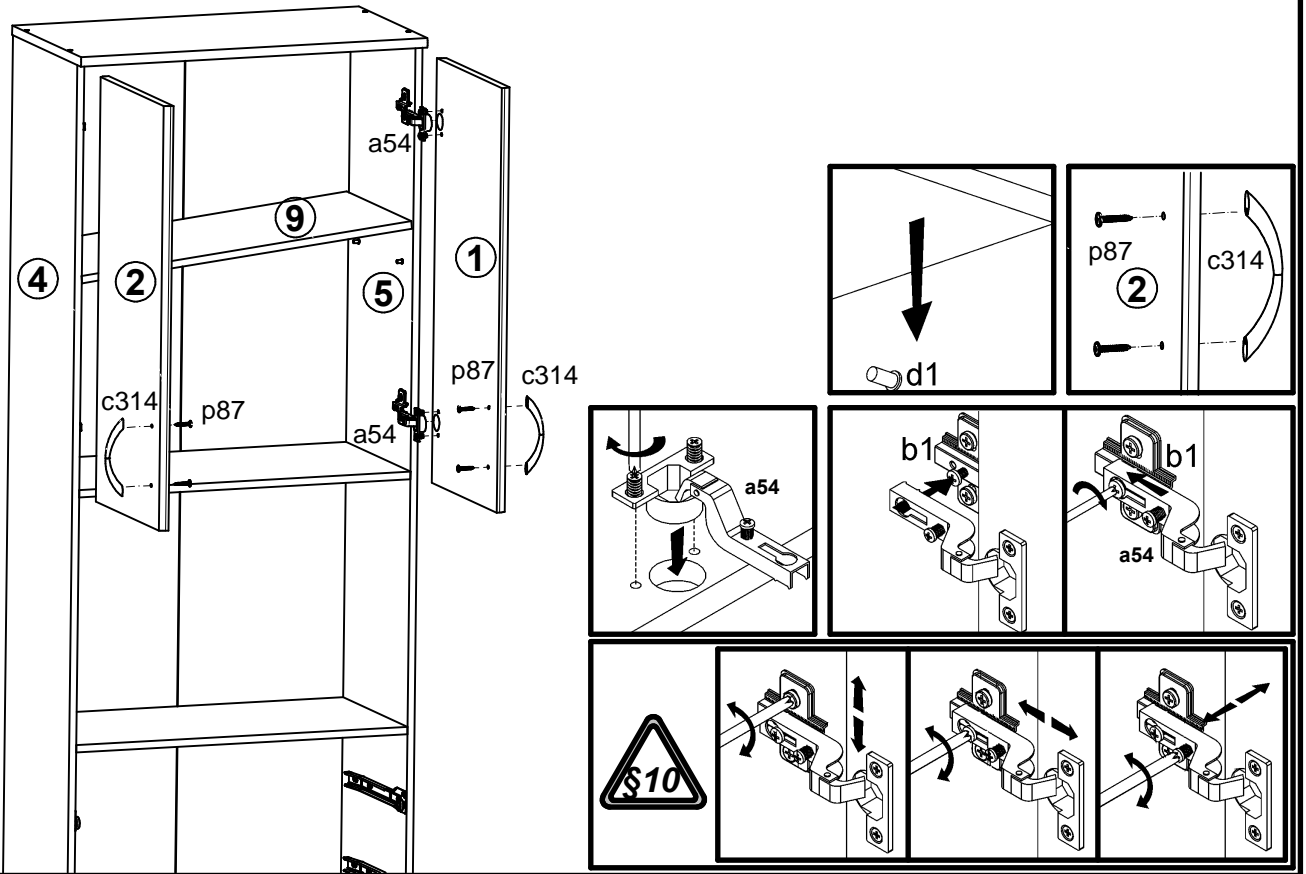


# 4



K27

# 5



# 6

