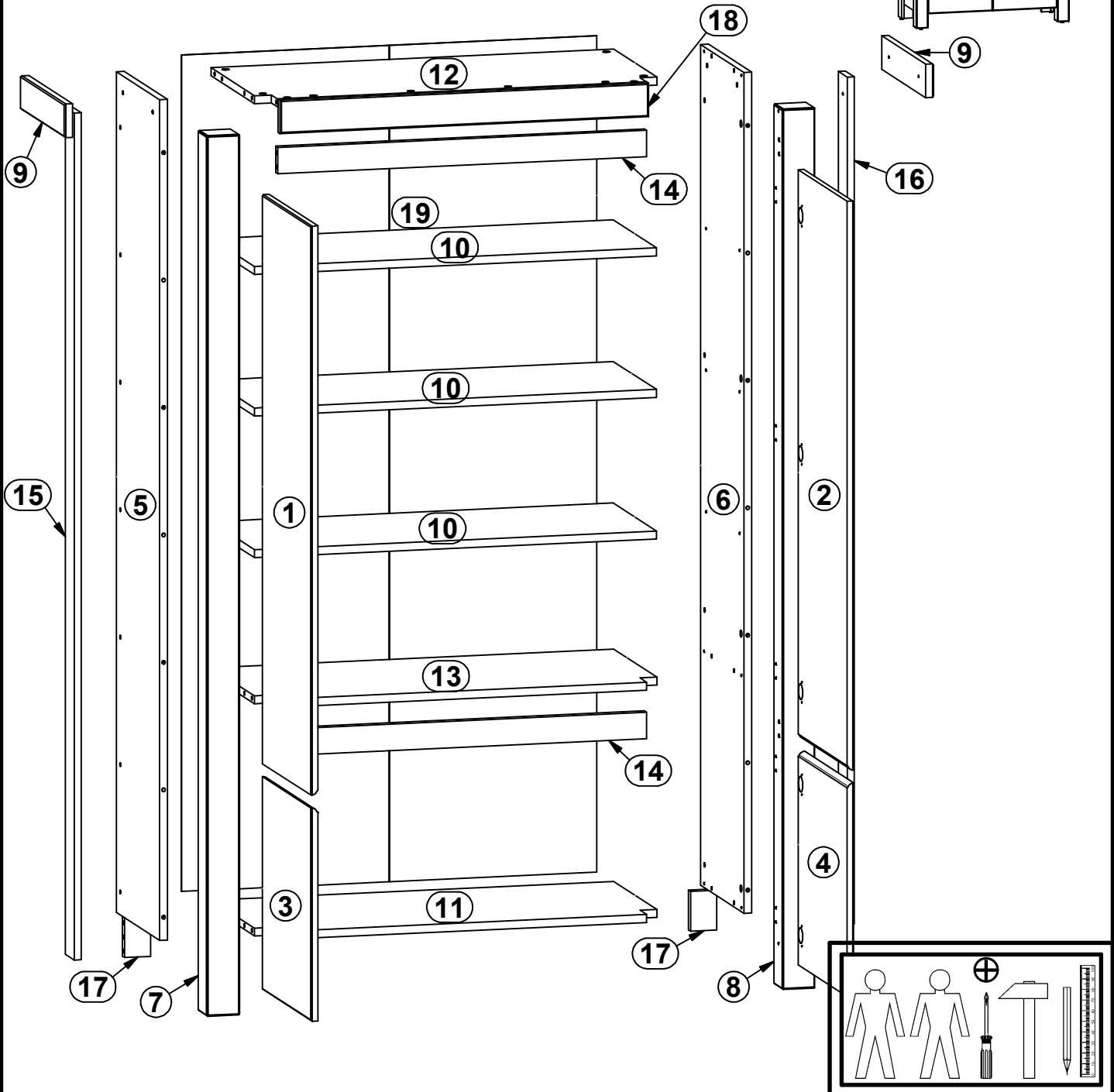
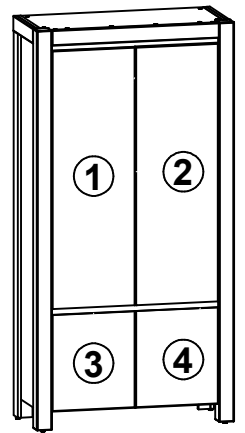
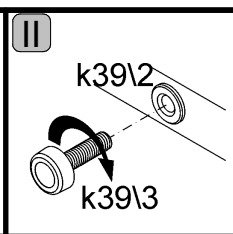
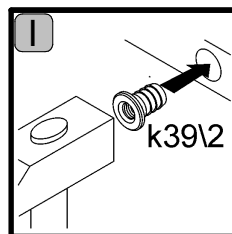
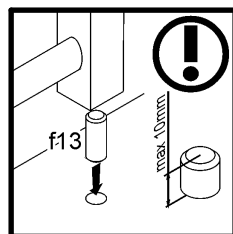
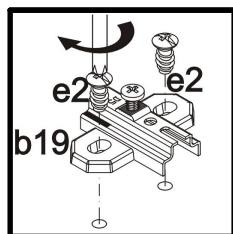
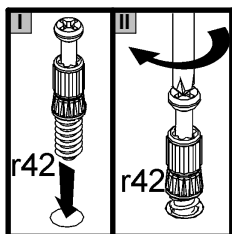
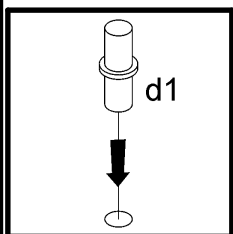
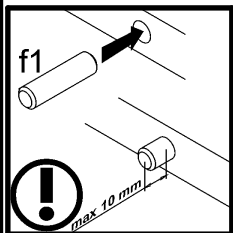
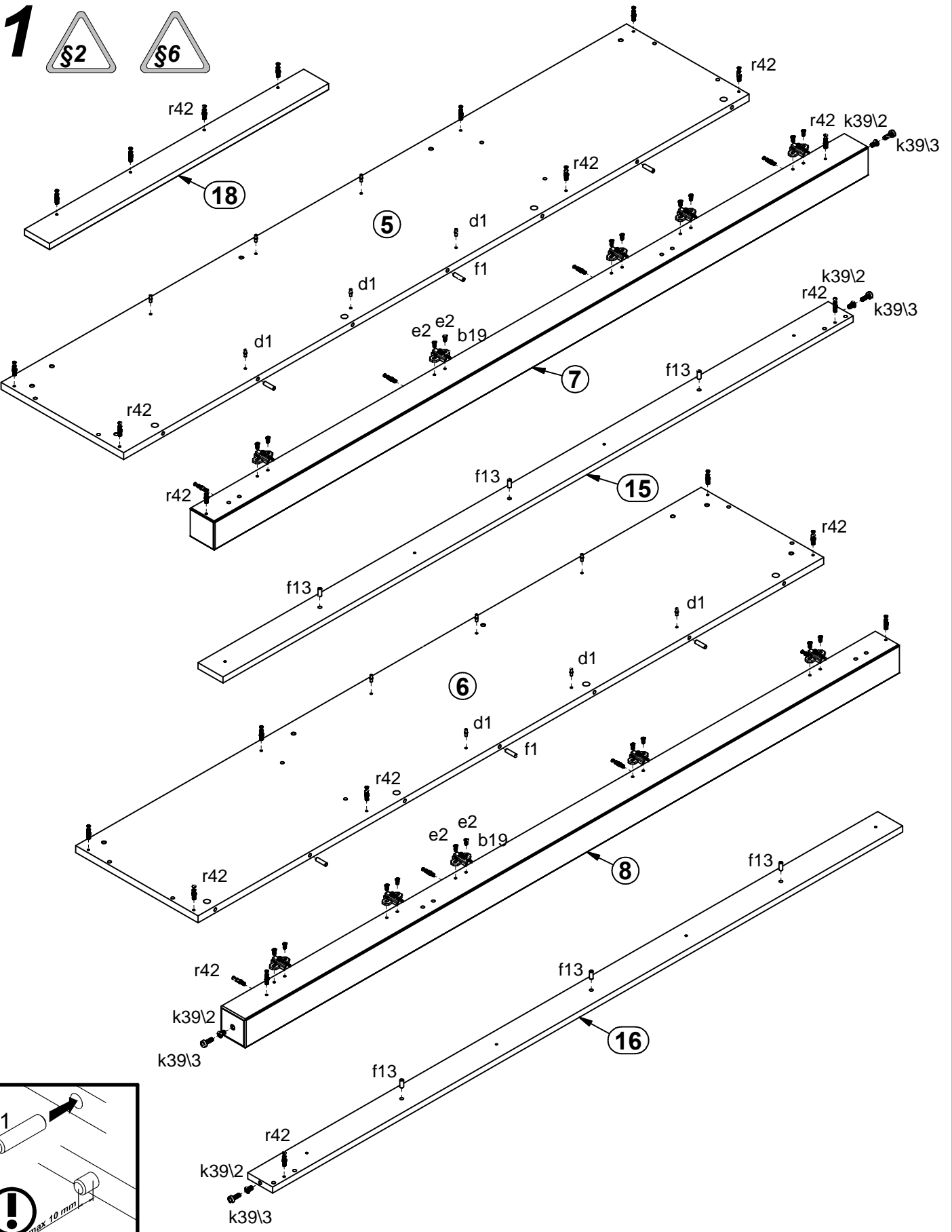


| A | B | C | D | A | B | C | D | | |
|----|----------|------|-----|-----|----|---------|------|-----|-----|
| 1 | S83-017 | 1286 | 420 | 6/6 | 11 | S83-315 | 926 | 429 | 2/6 |
| 2 | S83-018 | 1286 | 420 | 6/6 | 12 | S83-316 | 926 | 429 | 2/6 |
| 3 | S83-019 | 482 | 420 | 5/6 | 13 | S83-317 | 926 | 429 | 2/6 |
| 4 | S83-020 | 482 | 420 | 5/6 | 14 | S83-401 | 848 | 60 | 2/6 |
| 5 | S83-134 | 1900 | 372 | 1/6 | 15 | S83-573 | 1914 | 76 | 4/6 |
| 6 | S83-135 | 1900 | 372 | 1/6 | 16 | S83-574 | 1914 | 76 | 4/6 |
| 7 | S83-1573 | 1990 | 76 | 4/6 | 17 | S83-575 | 90 | 60 | 4/6 |
| 8 | S83-1574 | 1990 | 76 | 4/6 | 18 | S83-584 | 848 | 76 | 4/6 |
| 9 | S83-1575 | 376 | 76 | 4/6 | 19 | S83-901 | 1890 | 955 | 1/6 |
| 10 | S83-304 | 925 | 371 | 3/6 | | | | | |

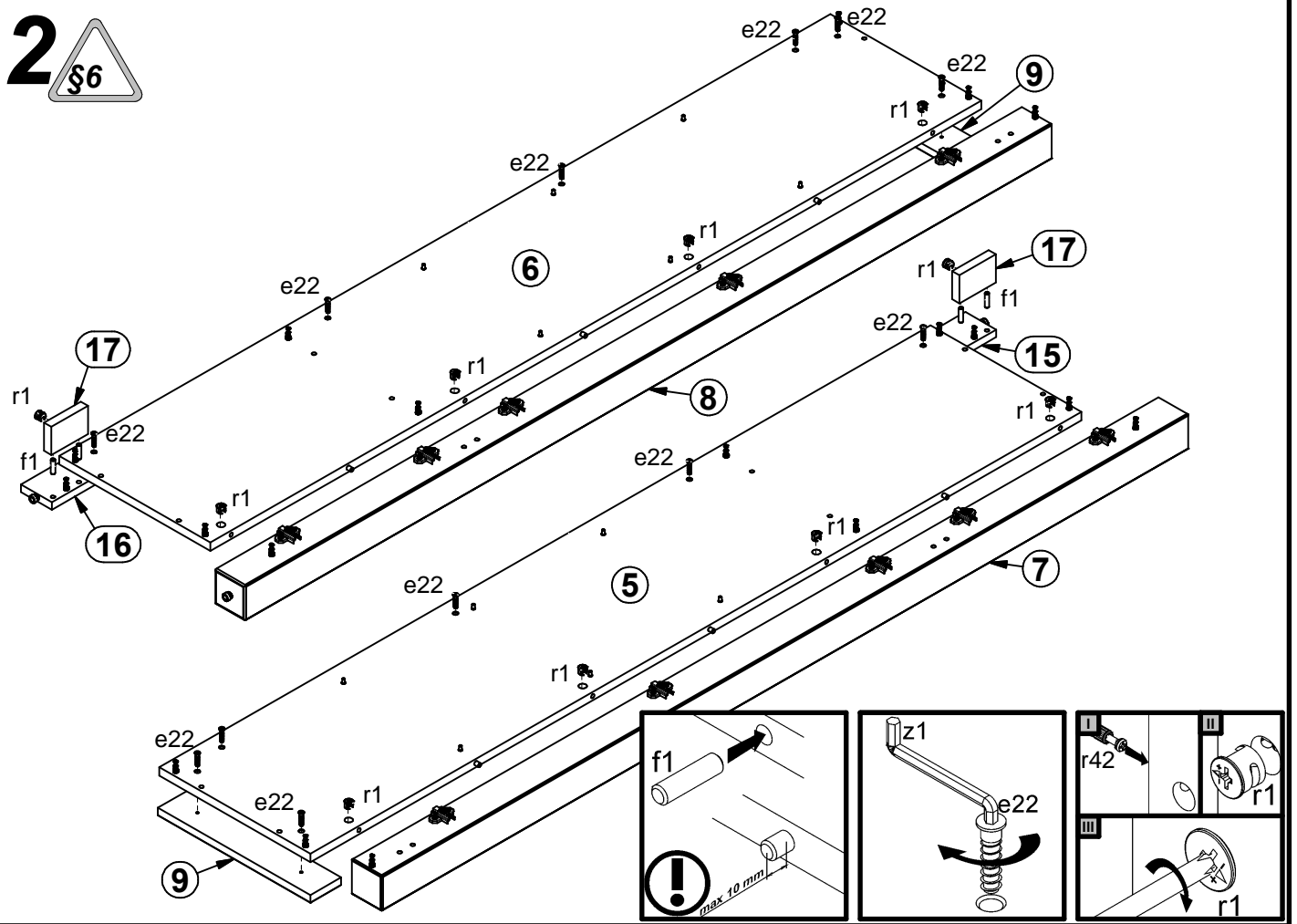


| | | | | | | | | |
|----------|------------------------|-------------------------|-----------------------|----------------------|---------------------|---------------------|--------------------------|-----------------------|
| 10x a43 | 10x b19 | 12x d1 φ5x17 mm | 20x e2 φ6,3x13 mm | 12x e22 φ7x28 mm | 30x f1 φ8x30 mm | 6x f13 φ8x20 mm | 4x k39/2 M6/φ8x14 mm | 4x k39/3 M6/22mm |
| 70x l1 | 20x p51 φ3,5x15 mm | 30x r1 φ15x12mm #16 | 30x r42 | 12x s1 | 8x s2 ø16 | 1x z1 | 1x n26/1 | 1x p38 φ3,5x16 mm |

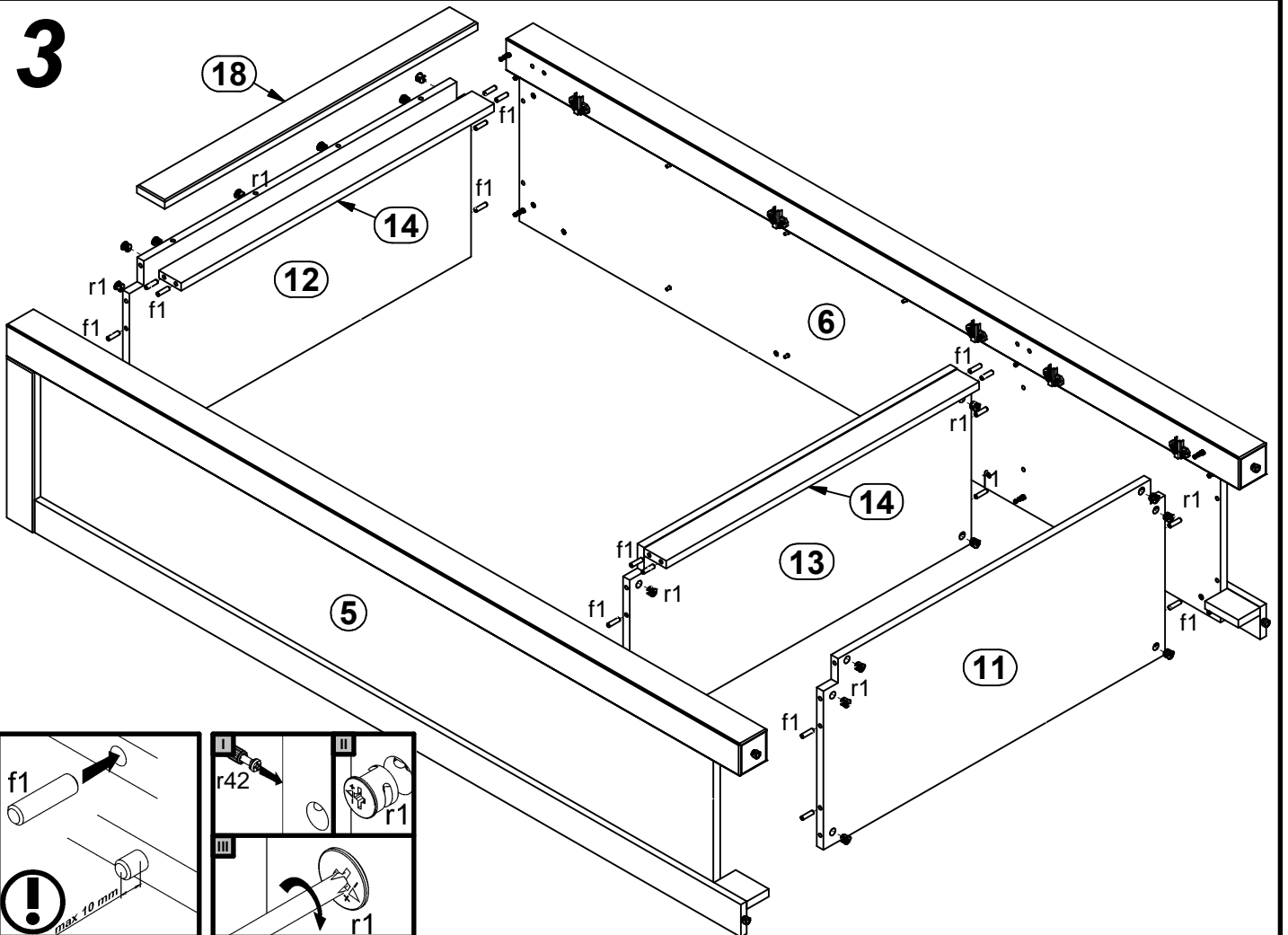


2

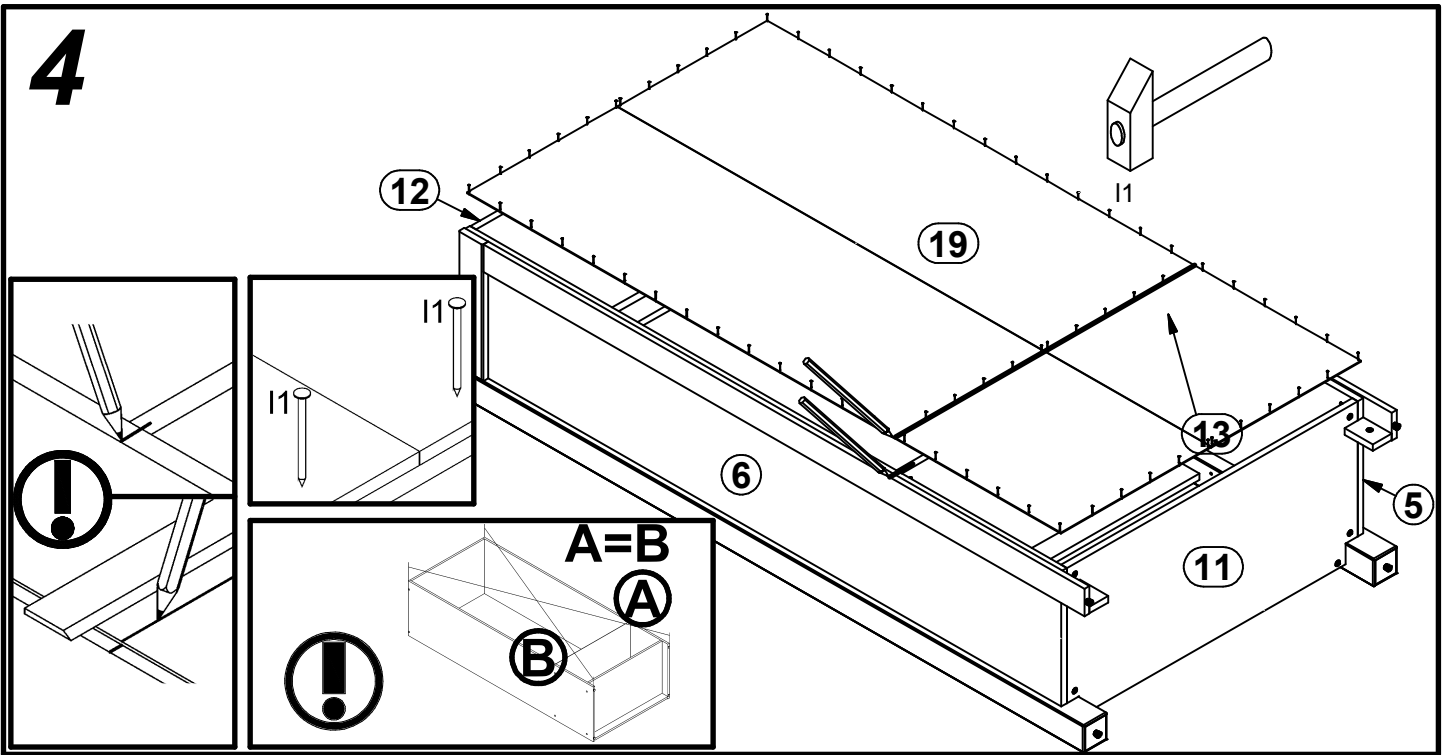
§6



3



4



5

